

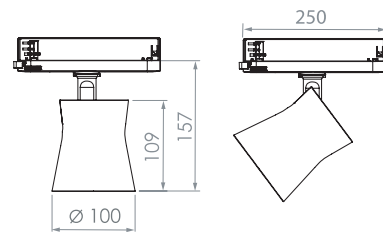
# RUNWAY S DALI

“When designing Runway, we took a holistic approach, starting from the effect of lighting by creating a family of both linear lighting - creating general light and spotlights - creating accent lighting. Tying it all together with the golden DALI portions, curvatures and connectivity. Design worthy the attention of a fashion runway.”

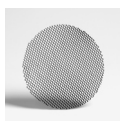
LED-spotlight with passive cooling system.  
 Dimmable by DALI  
 Die cast aluminium body, powder coat painted.  
 Integral heatsink. Premium in-track driver.  
 Low ripple output current <4% to assure camera and scanner friendly performance.  
 Rotation 355°. Vertical adjustment +/- 90°.  
 Track mounted with GAC Pulse driver-adapter.



<b>Class of DALItection</b>	IP20, class I
<b>Colours</b>	White, black
<b>Weight total</b>	700g
<b>Reflector</b>	High purity MIRO segmented
<b>Lifetime LED</b>	100 000h L90/B50 at Ta 25°C
<b>Driver h/max failure</b>	50 000h/10% at Ta 25°C
<b>Mounting</b>	Driver-adapter for Pulse track
<b>Voltage</b>	220-240V 50/60hz
<b>Qty/MCB 16A type B</b>	Max 60pcs (19W) - 36pcs (32W)
<b>Ripple out. current</b>	< 4%. Flicker-free performance
<b>Colour consistency</b>	2 SDCM (930) - 3 SDCM (940)
<b>Photobiological safety</b>	RG1
<b>Design</b>	Jesper Ståhl
<b>Dimming 100-1%</b>	DALI



- White
- Black



## Accessories

Honeycomb louvre **225091**

# RUNWAY S DALI

Description	Reflector	CCT (K)	CRI	Lumen	Load	Lumen	Lm/W	○ White	● Black																																																																																																																																																
LIGHTSOURCE					LUMINAIRE			ART. No.																																																																																																																																																	
WARM WHITE 3000K (930)																																																																																																																																																									
RUNWAY S DALI 2000lm SP 930	Spot 15°	3000K	92	2520	19W	2310	121	<b>225510</b>	<b>225514</b>																																																																																																																																																
RUNWAY S DALI 2000lm ME 930	Medium 25°	3000K	92	2520	19W	2310	121	<b>225511</b>	<b>225515</b>																																																																																																																																																
RUNWAY S DALI 2000lm FL 930	Flood 40°	3000K	92	2520	19W	2310	121	<b>225512</b>	<b>225516</b>																																																																																																																																																
RUNWAY S DALI 2000lm WFL 930	Widefl. 60°	3000K	92	2520	19W	2310	121	<b>225513</b>	<b>225517</b>																																																																																																																																																
RUNWAY S DALI 3500lm SP 930	Spot 15°	3000K	92	3830	32W	3520	109	<b>225610</b>	<b>225614</b>																																																																																																																																																
RUNWAY S DALI 3500lm ME 930	Medium 25°	3000K	92	3830	32W	3520	109	<b>225611</b>	<b>225615</b>																																																																																																																																																
RUNWAY S DALI 3500lm FL 930	Flood 40°	3000K	92	3830	32W	3520	109	<b>225612</b>	<b>225616</b>																																																																																																																																																
RUNWAY S DALI 3500lm WFL 930	Widefl. 60°	3000K	92	3830	32W	3520	109	<b>225613</b>	<b>225617</b>																																																																																																																																																
<table border="1"> <thead> <tr> <th colspan="2">Spot</th> <th colspan="2">2000lm</th> <th colspan="2">3500lm</th> <th colspan="2">Medium</th> <th colspan="2">2000lm</th> <th colspan="2">3500lm</th> <th colspan="2">Flood</th> <th colspan="2">2000lm</th> <th colspan="2">3500lm</th> <th colspan="2">Wideflood</th> <th colspan="2">2000lm</th> <th colspan="2">3500lm</th> </tr> <tr> <th>m</th> <th>∅</th> <th>Lux</th> <th>Lux</th> <th>m</th> <th>∅</th> <th>Lux</th> <th>Lux</th> <th>m</th> <th>∅</th> <th>Lux</th> <th>Lux</th> <th>m</th> <th>∅</th> <th>Lux</th> <th>Lux</th> <th>m</th> <th>∅</th> <th>Lux</th> <th>Lux</th> <th>m</th> <th>∅</th> <th>Lux</th> <th>Lux</th> </tr> </thead> <tbody> <tr> <td>1</td> <td>0,28</td> <td>14984</td> <td>22780</td> <td>1</td> <td>0,42</td> <td>8290</td> <td>12681</td> <td>1</td> <td>0,74</td> <td>5216</td> <td>7979</td> <td>1</td> <td>1,19</td> <td>2416</td> <td>3696</td> <td>1</td> <td>1,19</td> <td>2416</td> <td>3696</td> <td>1</td> <td>1,19</td> <td>2416</td> <td>3696</td> </tr> <tr> <td>2</td> <td>0,56</td> <td>3746</td> <td>5695</td> <td>2</td> <td>0,84</td> <td>2073</td> <td>3170</td> <td>2</td> <td>1,42</td> <td>1304</td> <td>1995</td> <td>2</td> <td>2,38</td> <td>604</td> <td>924</td> <td>2</td> <td>2,38</td> <td>604</td> <td>924</td> <td>2</td> <td>2,38</td> <td>604</td> <td>924</td> </tr> <tr> <td>3</td> <td>0,84</td> <td>1665</td> <td>2531</td> <td>3</td> <td>1,25</td> <td>921</td> <td>1409</td> <td>3</td> <td>2,18</td> <td>580</td> <td>887</td> <td>2,5</td> <td>2,97</td> <td>268</td> <td>411</td> <td>2,5</td> <td>2,97</td> <td>268</td> <td>411</td> <td>2,5</td> <td>2,97</td> <td>268</td> <td>411</td> </tr> <tr> <td>4</td> <td>1,12</td> <td>937</td> <td>1424</td> <td>4</td> <td>1,70</td> <td>518</td> <td>793</td> <td>4</td> <td>2,91</td> <td>326</td> <td>499</td> <td>3</td> <td>3,56</td> <td>151</td> <td>231</td> <td>3</td> <td>3,56</td> <td>151</td> <td>231</td> <td>3</td> <td>3,56</td> <td>151</td> <td>231</td> </tr> </tbody> </table>										Spot		2000lm		3500lm		Medium		2000lm		3500lm		Flood		2000lm		3500lm		Wideflood		2000lm		3500lm		m	∅	Lux	Lux	m	∅	Lux	Lux	m	∅	Lux	Lux	m	∅	Lux	Lux	m	∅	Lux	Lux	m	∅	Lux	Lux	1	0,28	14984	22780	1	0,42	8290	12681	1	0,74	5216	7979	1	1,19	2416	3696	1	1,19	2416	3696	1	1,19	2416	3696	2	0,56	3746	5695	2	0,84	2073	3170	2	1,42	1304	1995	2	2,38	604	924	2	2,38	604	924	2	2,38	604	924	3	0,84	1665	2531	3	1,25	921	1409	3	2,18	580	887	2,5	2,97	268	411	2,5	2,97	268	411	2,5	2,97	268	411	4	1,12	937	1424	4	1,70	518	793	4	2,91	326	499	3	3,56	151	231	3	3,56	151	231	3	3,56	151	231
Spot		2000lm		3500lm		Medium		2000lm		3500lm		Flood		2000lm		3500lm		Wideflood		2000lm		3500lm																																																																																																																																			
m	∅	Lux	Lux	m	∅	Lux	Lux	m	∅	Lux	Lux	m	∅	Lux	Lux	m	∅	Lux	Lux	m	∅	Lux	Lux																																																																																																																																		
1	0,28	14984	22780	1	0,42	8290	12681	1	0,74	5216	7979	1	1,19	2416	3696	1	1,19	2416	3696	1	1,19	2416	3696																																																																																																																																		
2	0,56	3746	5695	2	0,84	2073	3170	2	1,42	1304	1995	2	2,38	604	924	2	2,38	604	924	2	2,38	604	924																																																																																																																																		
3	0,84	1665	2531	3	1,25	921	1409	3	2,18	580	887	2,5	2,97	268	411	2,5	2,97	268	411	2,5	2,97	268	411																																																																																																																																		
4	1,12	937	1424	4	1,70	518	793	4	2,91	326	499	3	3,56	151	231	3	3,56	151	231	3	3,56	151	231																																																																																																																																		
NEUTRAL WHITE 4000K (940)																																																																																																																																																									
RUNWAY S DALI 2000lm SP 940	Spot 15°	4000K	92	2460	19W	2280	119	<b>225550</b>	<b>225554</b>																																																																																																																																																
RUNWAY S DALI 2000lm ME 940	Medium 25°	4000K	92	2460	19W	2280	119	<b>225551</b>	<b>225555</b>																																																																																																																																																
RUNWAY S DALI 2000lm FL 940	Flood 40°	4000K	92	2460	19W	2280	119	<b>225552</b>	<b>225556</b>																																																																																																																																																
RUNWAY S DALI 2000lm WFL 940	Widefl. 60°	4000K	92	2460	19W	2280	119	<b>225553</b>	<b>225557</b>																																																																																																																																																
RUNWAY S DALI 3500lm SP 940	Spot 15°	4000K	92	3795	32W	3490	107	<b>225650</b>	<b>225654</b>																																																																																																																																																
RUNWAY S DALI 3500lm ME 940	Medium 25°	4000K	92	3795	32W	3490	107	<b>225651</b>	<b>225655</b>																																																																																																																																																
RUNWAY S DALI 3500lm FL 940	Flood 40°	4000K	92	3795	32W	3490	107	<b>225652</b>	<b>225656</b>																																																																																																																																																
RUNWAY S DALI 3500lm WFL 940	Widefl. 60°	4000K	92	3795	32W	3490	107	<b>225653</b>	<b>225657</b>																																																																																																																																																
<table border="1"> <thead> <tr> <th colspan="2">Spot</th> <th colspan="2">2000lm</th> <th colspan="2">3500lm</th> <th colspan="2">Medium</th> <th colspan="2">2000lm</th> <th colspan="2">3500lm</th> <th colspan="2">Flood</th> <th colspan="2">2000lm</th> <th colspan="2">3500lm</th> <th colspan="2">Wideflood</th> <th colspan="2">2000lm</th> <th colspan="2">3500lm</th> </tr> <tr> <th>m</th> <th>∅</th> <th>Lux</th> <th>Lux</th> <th>m</th> <th>∅</th> <th>Lux</th> <th>Lux</th> <th>m</th> <th>∅</th> <th>Lux</th> <th>Lux</th> <th>m</th> <th>∅</th> <th>Lux</th> <th>Lux</th> <th>m</th> <th>∅</th> <th>Lux</th> <th>Lux</th> <th>m</th> <th>∅</th> <th>Lux</th> <th>Lux</th> </tr> </thead> <tbody> <tr> <td>1</td> <td>0,28</td> <td>14701</td> <td>22515</td> <td>1</td> <td>0,42</td> <td>8193</td> <td>12548</td> <td>1</td> <td>0,74</td> <td>5163</td> <td>7908</td> <td>1</td> <td>1,19</td> <td>2388</td> <td>3818</td> <td>1</td> <td>1,19</td> <td>2388</td> <td>3818</td> <td>1</td> <td>1,19</td> <td>2388</td> <td>3818</td> </tr> <tr> <td>2</td> <td>0,56</td> <td>3675</td> <td>5629</td> <td>2</td> <td>0,84</td> <td>2048</td> <td>3137</td> <td>2</td> <td>1,42</td> <td>1291</td> <td>1977</td> <td>2</td> <td>2,38</td> <td>597</td> <td>954</td> <td>2</td> <td>2,38</td> <td>597</td> <td>954</td> <td>2</td> <td>2,38</td> <td>597</td> <td>954</td> </tr> <tr> <td>3</td> <td>0,84</td> <td>1633</td> <td>2502</td> <td>3</td> <td>1,25</td> <td>910</td> <td>1394</td> <td>3</td> <td>2,18</td> <td>574</td> <td>879</td> <td>2,5</td> <td>2,97</td> <td>265</td> <td>424</td> <td>2,5</td> <td>2,97</td> <td>265</td> <td>424</td> <td>2,5</td> <td>2,97</td> <td>265</td> <td>424</td> </tr> <tr> <td>4</td> <td>1,12</td> <td>919</td> <td>1407</td> <td>4</td> <td>1,70</td> <td>512</td> <td>784</td> <td>4</td> <td>2,91</td> <td>323</td> <td>494</td> <td>3</td> <td>3,56</td> <td>149</td> <td>239</td> <td>3</td> <td>3,56</td> <td>149</td> <td>239</td> <td>3</td> <td>3,56</td> <td>149</td> <td>239</td> </tr> </tbody> </table>										Spot		2000lm		3500lm		Medium		2000lm		3500lm		Flood		2000lm		3500lm		Wideflood		2000lm		3500lm		m	∅	Lux	Lux	m	∅	Lux	Lux	m	∅	Lux	Lux	m	∅	Lux	Lux	m	∅	Lux	Lux	m	∅	Lux	Lux	1	0,28	14701	22515	1	0,42	8193	12548	1	0,74	5163	7908	1	1,19	2388	3818	1	1,19	2388	3818	1	1,19	2388	3818	2	0,56	3675	5629	2	0,84	2048	3137	2	1,42	1291	1977	2	2,38	597	954	2	2,38	597	954	2	2,38	597	954	3	0,84	1633	2502	3	1,25	910	1394	3	2,18	574	879	2,5	2,97	265	424	2,5	2,97	265	424	2,5	2,97	265	424	4	1,12	919	1407	4	1,70	512	784	4	2,91	323	494	3	3,56	149	239	3	3,56	149	239	3	3,56	149	239
Spot		2000lm		3500lm		Medium		2000lm		3500lm		Flood		2000lm		3500lm		Wideflood		2000lm		3500lm																																																																																																																																			
m	∅	Lux	Lux	m	∅	Lux	Lux	m	∅	Lux	Lux	m	∅	Lux	Lux	m	∅	Lux	Lux	m	∅	Lux	Lux																																																																																																																																		
1	0,28	14701	22515	1	0,42	8193	12548	1	0,74	5163	7908	1	1,19	2388	3818	1	1,19	2388	3818	1	1,19	2388	3818																																																																																																																																		
2	0,56	3675	5629	2	0,84	2048	3137	2	1,42	1291	1977	2	2,38	597	954	2	2,38	597	954	2	2,38	597	954																																																																																																																																		
3	0,84	1633	2502	3	1,25	910	1394	3	2,18	574	879	2,5	2,97	265	424	2,5	2,97	265	424	2,5	2,97	265	424																																																																																																																																		
4	1,12	919	1407	4	1,70	512	784	4	2,91	323	494	3	3,56	149	239	3	3,56	149	239	3	3,56	149	239																																																																																																																																		

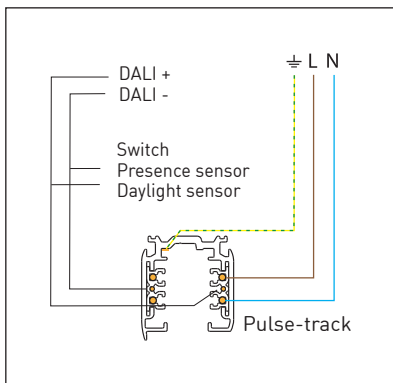
Luminous flux and connected electrical load are subject to an initial tolerance of +/- 5%. Tolerance of colour temperature: +/-150 K. Tolerance of CRI +/- 1,5. Values apply to an ambient temperature of 25°C.

# DALI - Dimming & Control

RUNWAY S DALI is equipped with control adapter for Global Pulse Tracks. Dimmable 100-1% by either DALI or DALI-dimmer.

The DALI lighting control system delivers unparalleled performance, maximum control, flexibility and increased energy savings.

Dimmer UID8620 offers easy installation and maintenance. Wiring is simple and installation costs are lower.



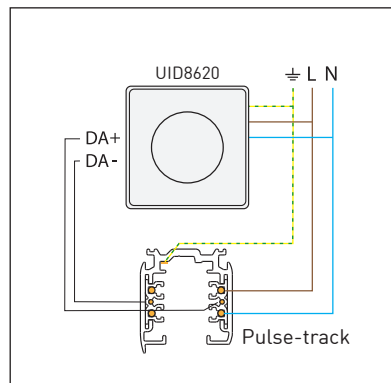
## DALI LIGHTING CONTROL SYSTEM

The DALI lighting control system delivers maximum control, flexibility and increased energy savings.

DALI can control a single light fitting or a defined group of fittings.

Different scenes and lightlevels may be set. The DALI specification allows for a maximum of 64 luminaires per network, which can be broken up to 16 different groups, each with its own lighting scene.

DALI is an industry standard protocol that allows DALI-compliant components from different manufacturers to be mixed and matched together seamlessly into complete systems.



## DALI Dimmer UID 8620

DALI compliant potentiometer 8620 offers easy installation. Generally applicable for indoor lighting control with DALI compliant devices. Brightness is controlled in broadcast mode so all connected devices will react simultaneously.

Dimming level 100-1%. Preset levels can be set. Maximum 32 DALI-loads may be connected to one UID 8620.



## Accessories

UID 8620 DALI dimmer

0101300



## Global Pulse

3-circuit 16A mains voltage track system with additional control signals.

Lystra DALI tracklights are equipped with GAC Pulse-adapter and may be controlled via DALI or with DALI-dimmer. (For example Philips UID 8620 or Osram MCU).